



Ceramic Resonator

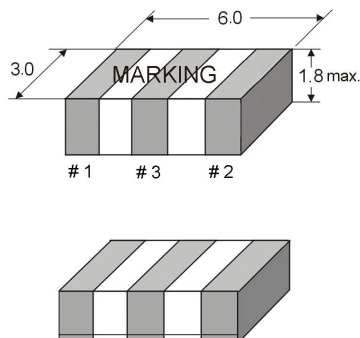
SMD-version
KX-ZTT CP series

Built-in capacitor types

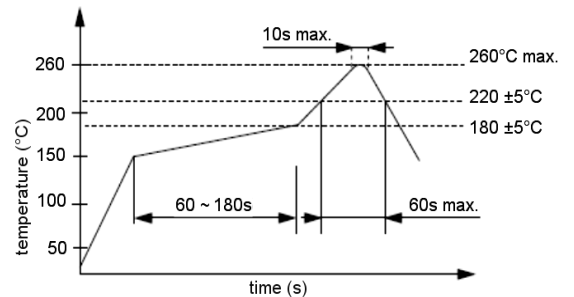
| | |
|---|-------------------|
| part no. | 12.99823 |
| model | KX-ZTT-CP MG |
| frequency | 4.0 MHz |
| internal capacitance C ₁ , C ₂ | 22 pF |
| frequency tolerance at +25°C | ±0.5% |
| frequency stability at -20° ~ +80°C | ±0.3% |
| aging for 1 year max. | ±0.1% |
| resonant resistance max. | 30 Ohm |
| test circuit IC | 1/6 IC 4069 UBPX2 |
| contents of reel | 4000 pcs. |

* Please note for Ceramic Resonators our „Precaution for Handling“.

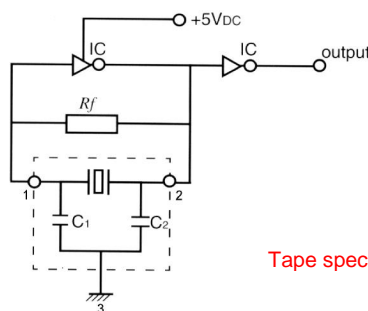
Dimensions (mm):



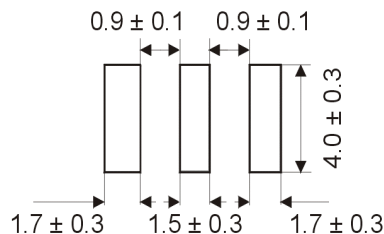
Reflow soldering condition:



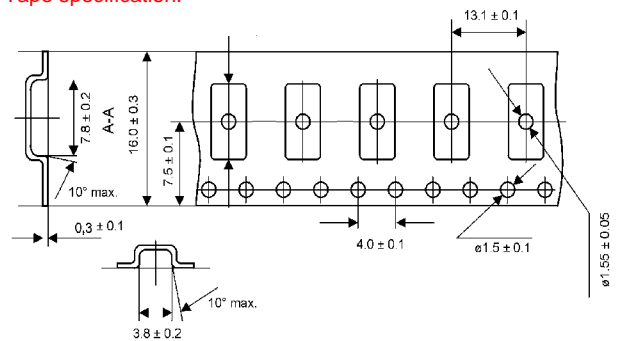
Test circuit:



Suggested soldering pad:



Tape specification:



reel diameter 330 mm