



Ceramic Resonator

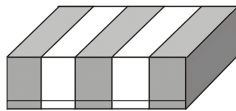
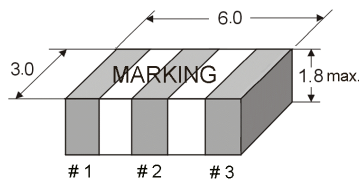
Built-in capacitor types

SMD-version
KX-ZTT CP series

part no.	12.99822
model	KX-ZTT-CP MG
frequency	8.0 MHz
internal capacitance C ₁ , C ₂	22 pF
frequency tolerance at +25°C	±0.5%
frequency stability at -20° ~ +80°C	±0.3%
aging for 1 year max.	±0.1%
resonant resistance max.	30 Ohm
test circuit IC	1/6 IC 4069 UBPX2
contents of reel	4000 pcs.

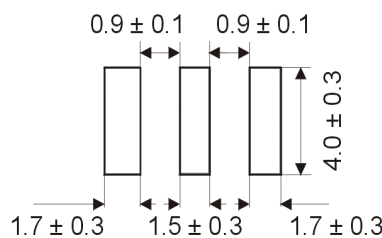
* Please note for Ceramic Resonators our „Precaution for Handling“.

Dimensions (mm):

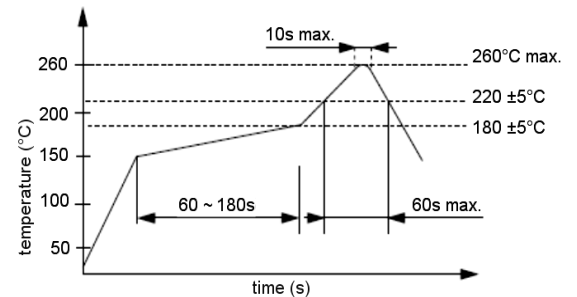


Pin	Connection
1	Input
2	Ground
3	Output

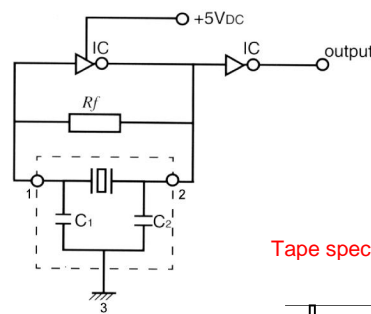
Suggested soldering pad:



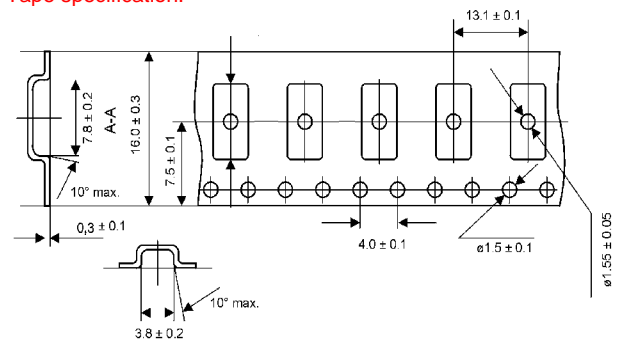
Reflow soldering condition:



Test circuit:



Tape specification:



reel diameter 330 mm