

Ceramic Resonator

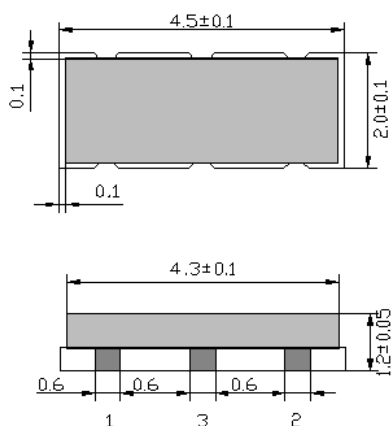
Built-in capacitor types

SMD-version
KX-ZTT CR series

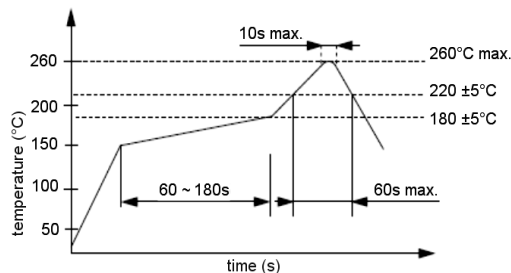
part no.	12.99100
model	KX-ZTT-CR MG
frequency	4.0 MHz
internal capacitance C ₁ , C ₂	15 pF
frequency tolerance at +25°C	±0.5%
frequency stability at -25 ~ +85C	±0.3%
aging for 10 years	±0.3%
resonant resistance max.	40 Ohm
test circuit IC	TC 74 HCU04
contents of reel	3000 pcs.

Please note for Ceramic Resonators our „Precautions for Handling“.

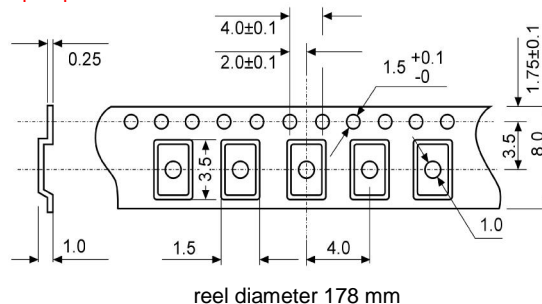
Dimensions (mm):



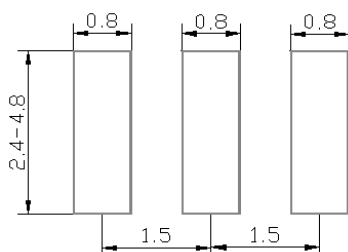
Reflow soldering condition:



Tape specification:



Suggested soldering pad:



Test circuit:

