

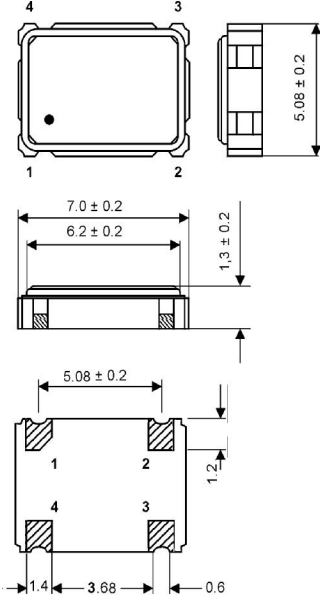


## Clock Oscillator SMD-version

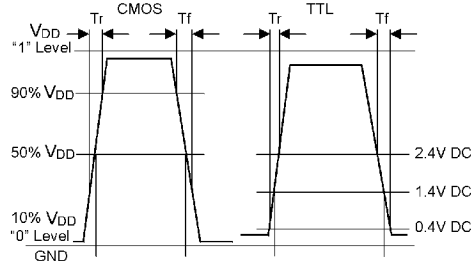
+3.3V

|                                     |                                     |
|-------------------------------------|-------------------------------------|
| part no.                            | 12.94451                            |
| model                               | KXO-V97                             |
| frequency                           | 98.3040 MHz                         |
| frequency stability at -20° ~ +70°C | ±50 ppm                             |
| operating temperature               | -20° ~ +70°C                        |
| storage temperature                 | -55° ~ +125°C                       |
| symmetry                            | 50% ±10% at ½ V <sub>DD</sub> level |
| rise & fall time max.               | 5 ns                                |
| "0" level max.                      | +0.4V                               |
| "1" level min.                      | V <sub>DD</sub> -0.5V               |
| input voltage V <sub>DD</sub>       | +3.3V ±10%                          |
| input current                       | 30 mA typ., 40 mA max.              |
| output load                         | 15 pF                               |
| start up time max.                  | 10 ms                               |
| tristate function                   | yes                                 |
| disable delay time max.             | 50 µs                               |
| enable delay time max.              | 4 ms                                |
| phase jitter                        | (12 kHz – 20 MHz) with 1 ps         |
| random jitter max.                  | 7ps                                 |
| peak to peak jitter max.            | 40ps                                |
| contents of reel                    | 1000 pcs.                           |

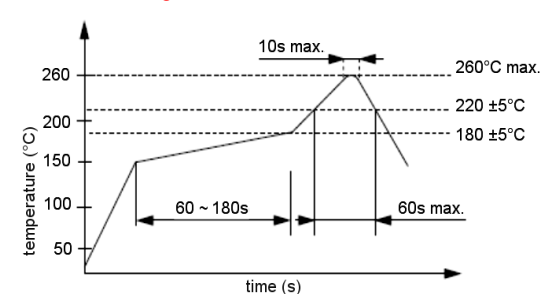
### Dimensions (mm):



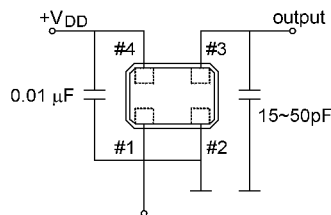
### Output waveform:



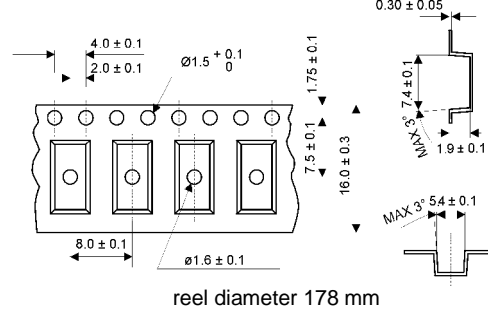
### Reflow soldering condition:



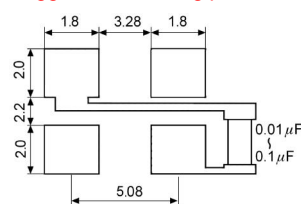
### Test circuit:



### Tape specifications:



### Suggested soldering pad:



| PIN | Connection           |
|-----|----------------------|
| 1   | "L" (0V) "H" or OPEN |
| 2   | GND                  |
| 3   | Z OUTPUT             |
| 4   | V <sub>DD</sub>      |

Z: high impedance