

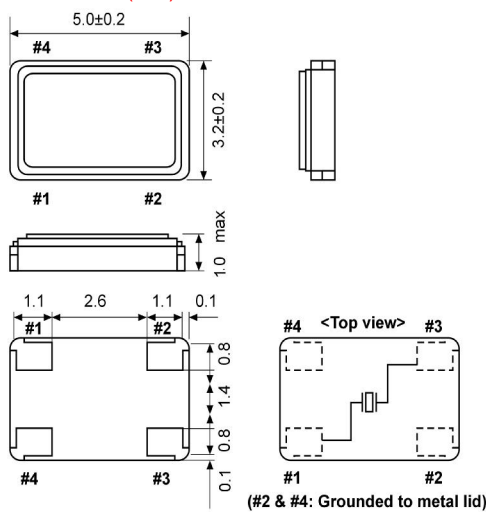


Quartz Crystal

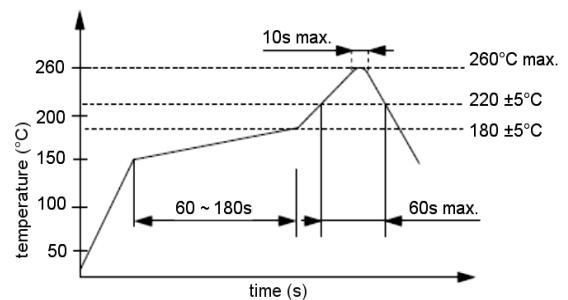
SMD-version

| | |
|---------------------------------------|--------------|
| part no. | 12.89048 |
| model | KX – 9AT |
| frequency | 8.0 MHz |
| mode | fundamental |
| operating temperature | -40° ~ +85°C |
| frequency tolerance at +25°C | ±30 ppm |
| temperature tolerance -40° ~ +85°C | ±100 ppm |
| load capacitance C_L | 16 pF |
| series resonance R1 max. | 100 Ohm |
| aging at 25°C (first year) max. | ±2 ppm |
| shunt capacitance C_0 max. | 5.0 pF |
| drive level max. | 0.05 mW |
| contents of reel | 1000 pcs. |

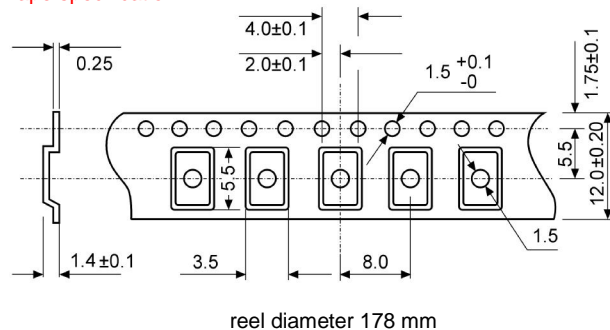
Dimensions (mm):



Reflow soldering condition:



Tape specification:



Suggested soldering pad:

