

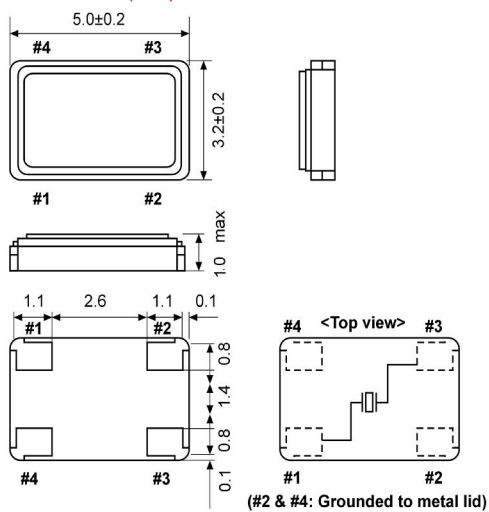


## Quartz Crystal

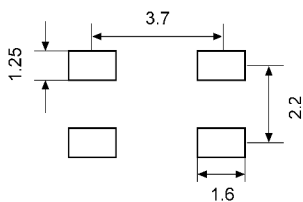
SMD-version

part no.	12.89010
model	KX – 9A
frequency	18.4320 MHz
mode	fundamental
operating temperature	-20° ~ +70°C
frequency tolerance at +25°C	±30 ppm
temperature tolerance -20° ~ +70°C	±50 ppm
load capacitance $C_L$	16 pF
series resonance R1 max.	60 Ohm
aging at 25°C (first year) max.	±2 ppm
shunt capacitance $C_O$ max.	5.0 pF
drive level max.	0,05 mW
contents of reel	1000 pcs.

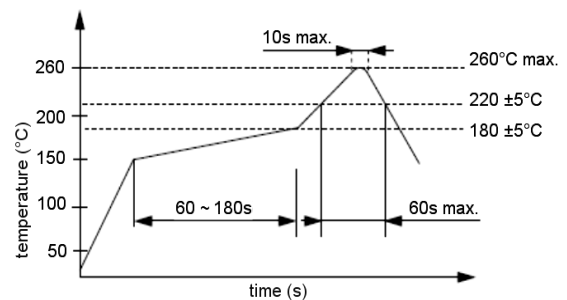
### Dimensions (mm):



### Suggested soldering pad:



### Reflow soldering condition:



### Tape specification:

