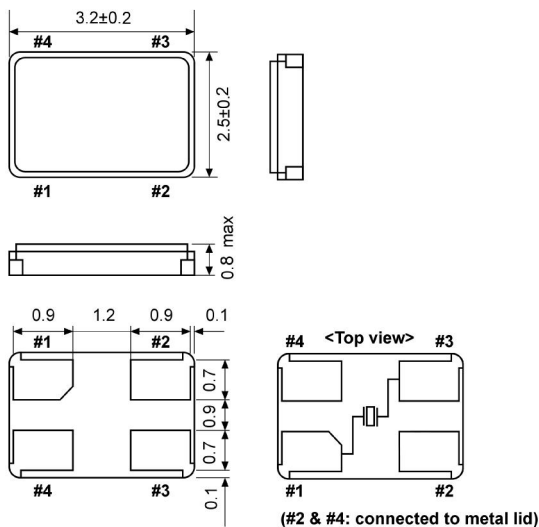


Quartz Crystal

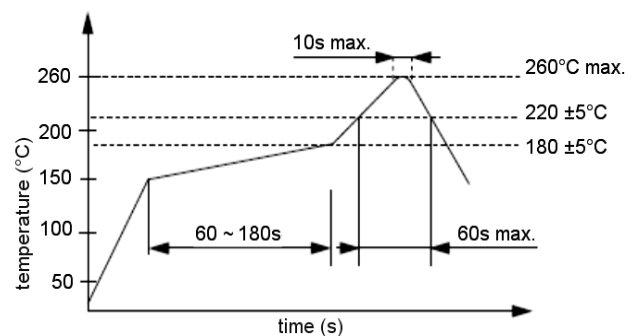
SMD-version

part no.	12.88761
model	KX – 7T
frequency	10.0 MHz
mode	fundamental
operating temperature	-40° ~ +85°C
frequency tolerance at +25°C	±30 ppm
temperature tolerance -40° ~ +85°C	±100 ppm
load capacitance C_L	12 pF
series resistance R_1 max.	180 Ohm
aging at 25°C (first year) max.	±2 ppm
shunt capacitance C_0 max.	3.0 pF
drive level max.	200 μ W
contents of reel	1000 pcs.

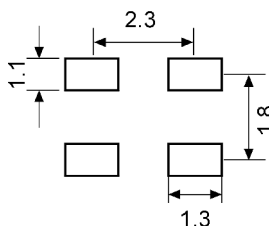
Dimensions (mm):



Reflow soldering condition:



Suggested soldering pad:



Tape specification:

