

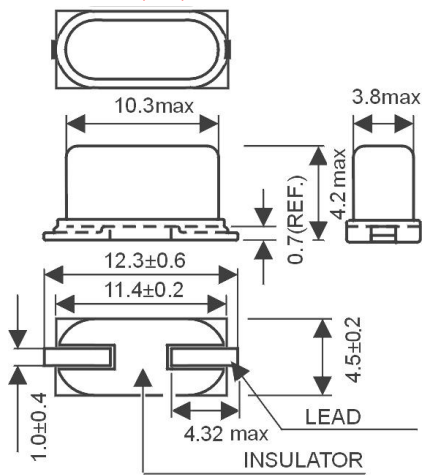


Quartz Crystal

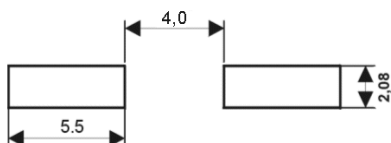
SMD-version

model	KX - KT
frequency	3,5795450 MHz
mode	fundamental
operating temperature	-40° ~ + 85°C
frequency tolerance at +25°C	± 50 ppm
temperature tolerance at -40° ~ +85°C	± 50 ppm
load capacitance C_L	16 pF
series resonance R1 max.	150 Ohm
aging at 25°C (first year)	± 2 ppm
shunt capacitance C_0 max.	7,0 pF
drive level	0,1 mW
contents of reel	1000 pcs.
part no.	12.88151

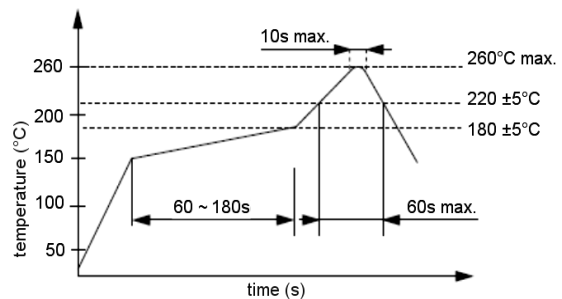
Dimensions (mm):



Suggested soldering pad:



Reflow soldering condition:



Tape specification:

