

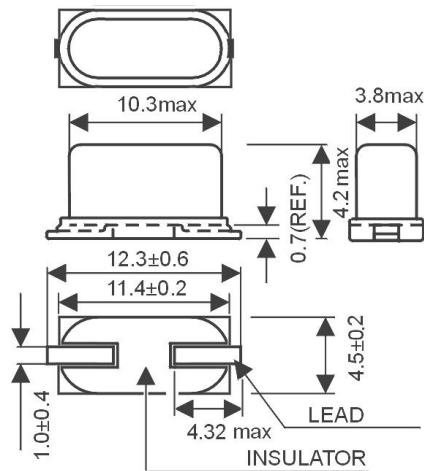


## Quartz Crystal

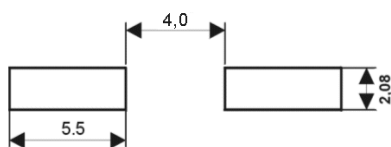
SMD-version

part no.	12.87867
model	KX - KT
frequency	4.0 MHz
mode	fundamental
operating temperature	-40° ~ +85°C
frequency tolerance at +25°C	±50 ppm
temperature tolerance at -40° ~ +85°C	±100 ppm
load capacitance $C_L$	16 pF
series resistance R1 max.	120 Ohm
aging at 25°C (first year) max.	±2 ppm
shunt capacitance $C_0$ max.	7.0 pF
drive level max.	0.1 mW
contents of reel	1000 pcs.

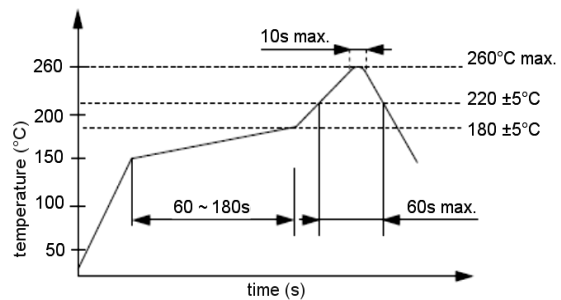
### Dimensions (mm):



### Suggested soldering pad:



### Reflow soldering condition:



### Tape specification:

