

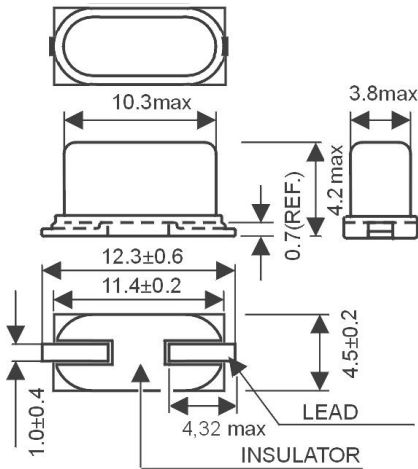


Quartz Crystal

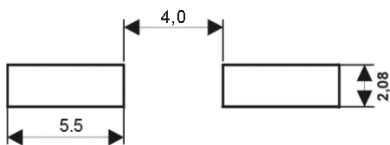
SMD-version

| | |
|---------------------------------------|---------------|
| model | KX - K |
| frequency | 19,66080 MHz |
| mode | fundamental |
| operating temperature | -20° ~ + 70°C |
| frequency tolerance at +25°C | ± 30 ppm |
| temperature tolerance at -20° ~ +70°C | ± 50 ppm |
| load capacitance C_L | 16 pF |
| series resonance R1 max. | 50 Ohm |
| aging at 25°C (first year) max. | ± 2 ppm |
| shunt capacitance C_O max. | 7,0 pF |
| drive level | 0,1 mW |
| contents of reel | 1000 pcs. |
| part no. | 12.87820 |

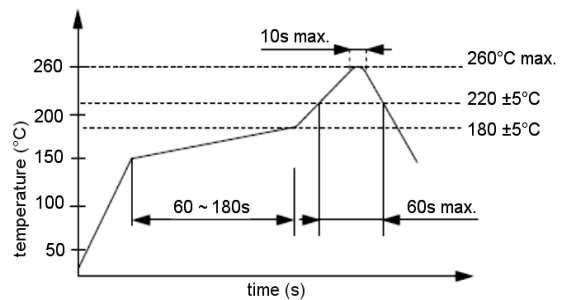
Dimensions (mm):



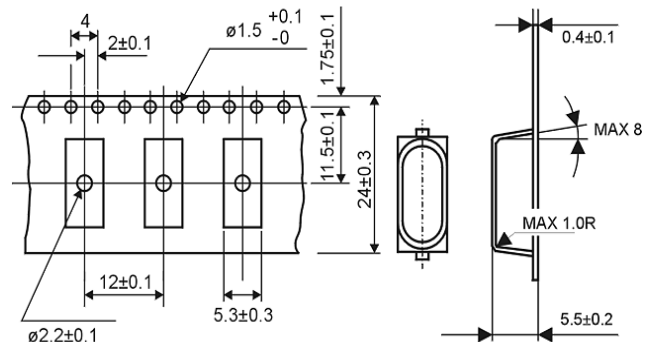
Suggested soldering pad:



Reflow soldering condition:



Tape specification:



reel diameter 330 mm