

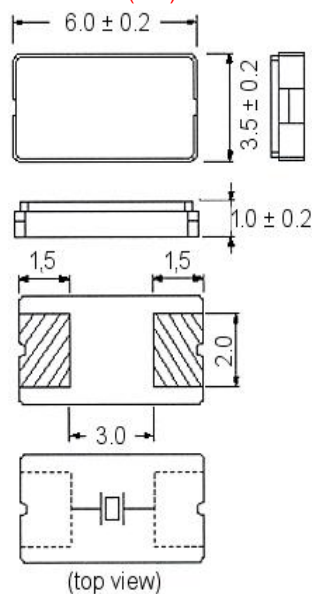


Quartz Crystal

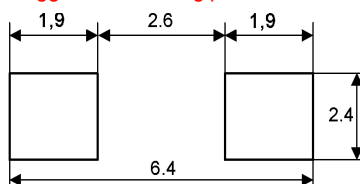
SMD-version

| | |
|---------------------------------------|--------------|
| part no. | 12.87725 |
| model | KX – 12B |
| frequency | 27.0 MHz |
| mode | fundamental |
| operating temperature | -20° ~ +70°C |
| frequency tolerance at +25°C | ±30 ppm |
| temperature tolerance -20° ~ +70°C | ±50 ppm |
| load capacitance C_L | 16 pF |
| series resistance R1 max. | 40 Ohm |
| aging at 25°C (first year) max. | ±2 ppm |
| shunt capacitance C_0 max. | 7.0 pF |
| drive level max. | 300 µW |
| contents of reel | 1000 pcs. |

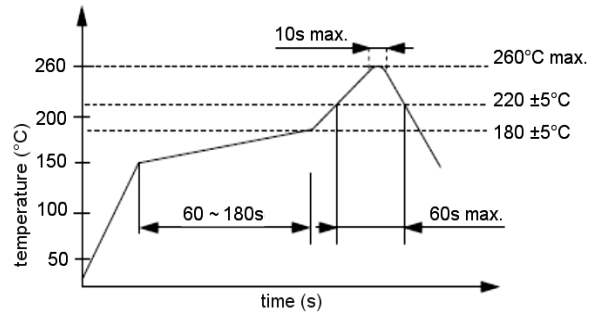
Dimensions (mm):



Suggested soldering pad:



Reflow soldering condition:



Tape specification:

