

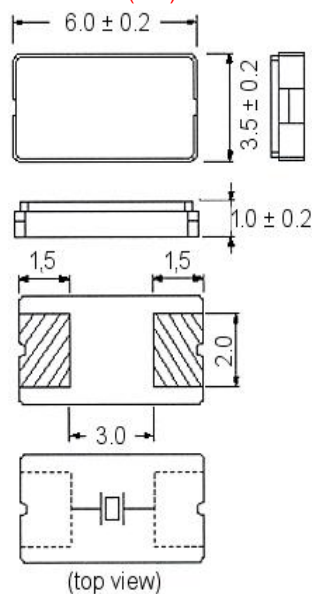


## Quartz Crystal

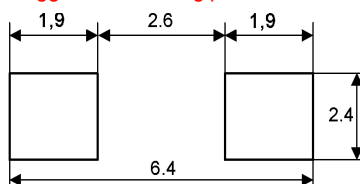
SMD-version

|                                       |              |
|---------------------------------------|--------------|
| part no.                              | 12.87712     |
| model                                 | KX – 12B     |
| frequency                             | 8.0 MHz      |
| mode                                  | fundamental  |
| operating temperature                 | -20° ~ +70°C |
| frequency tolerance at +25°C          | ±30 ppm      |
| temperature tolerance<br>-20° ~ +70°C | ±50 ppm      |
| load capacitance $C_L$                | 16 pF        |
| series resistance R1 max.             | 150 Ohm      |
| aging at 25°C (first year) max.       | ±2 ppm       |
| shunt capacitance $C_0$ max.          | 7.0 pF       |
| drive level max.                      | 300 µW       |
| contents of reel                      | 1000 pcs.    |

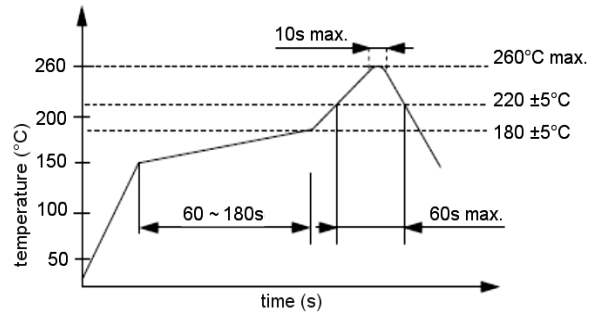
### Dimensions (mm):



### Suggested soldering pad:



### Reflow soldering condition:



### Tape specification:

