

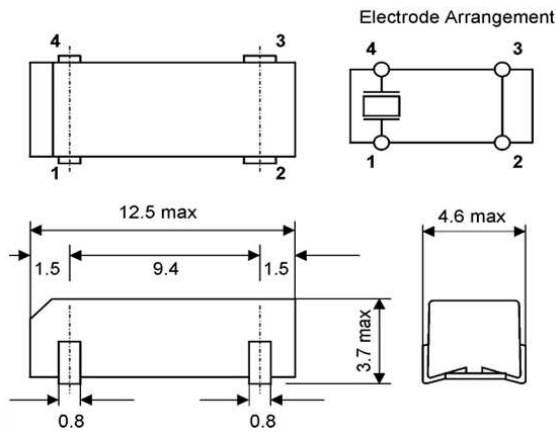


Quartz Crystal

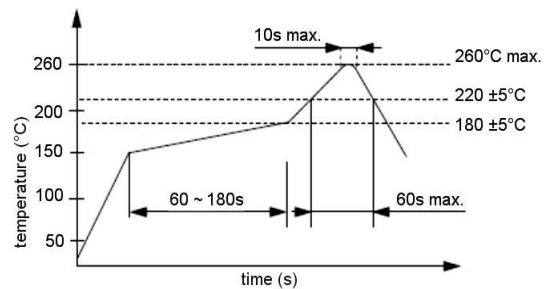
SMD-version

model	KX - C
frequency	3.68640 MHz
mode	fundamental
operating temperature	-20° ~ + 70°C
frequency tolerance at +25°C	± 50 ppm
temperature tolerance at -20° ~ + 70°C	± 50 ppm
load capacitance C_L	16 pF
series resonance R1 max.	150 Ohm
aging at 25°C (first year) max.	± 5 ppm
shunt capacitance C_0 max.	7,0 pF
drive level in mW	0,1
contents of reel	1000 pcs.
part no.	12.87273

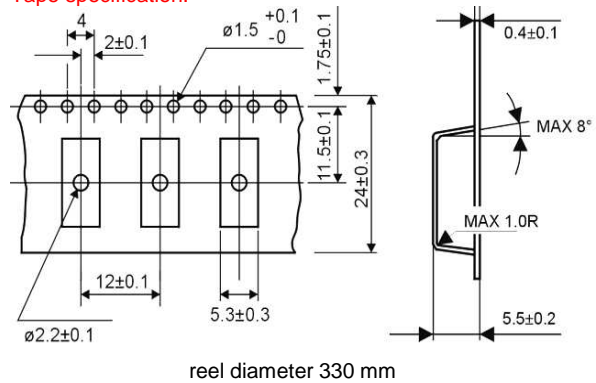
Dimensions (mm):



Reflow soldering condition:



Tape specification:



Suggested soldering pad:

