

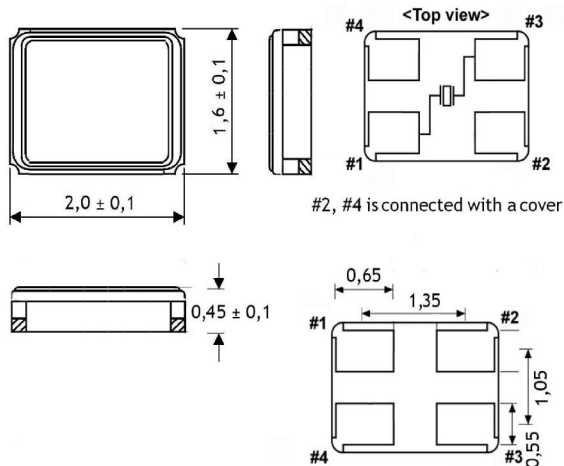


Quartz Crystal

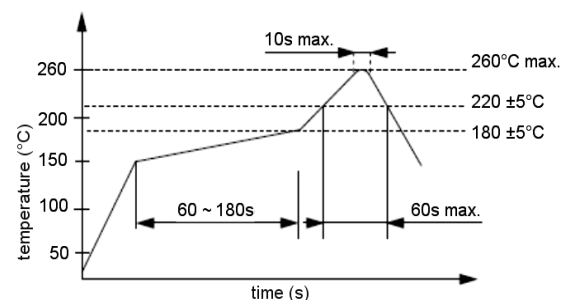
SMD-version

model	KX – 5T
frequency	38,40 MHz
mode	fundamental
operating temperature	-40° ~ +85°C
frequency tolerance at +25°C	± 10 ppm
temperature tolerance (incl. aging) -40° ~ +85°C	± 20 ppm
load capacitance C_L	9 pF
series resonance R1 max.	80 Ohm
shunt capacitance C_O max.	2,0 pF
drive level	50 μ W typ., 100 μ W max.
pulling	± 10 ppm/pF (typ.)
contents of reel	1000 pcs.
part no.	12.85530

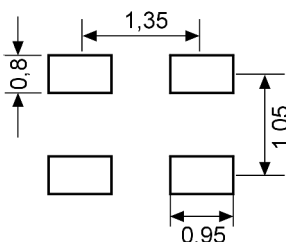
Dimensions (mm):



Reflow soldering condition:



Suggested soldering pad:



Tape specification:

