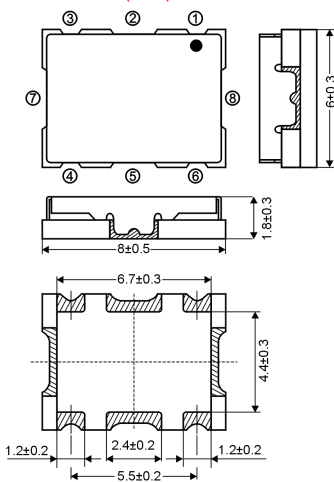


VCO Voltage Controlled Oscillator

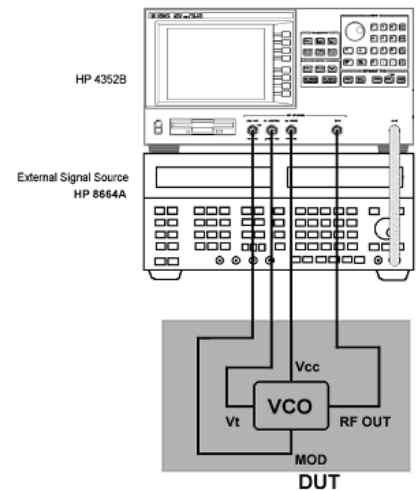
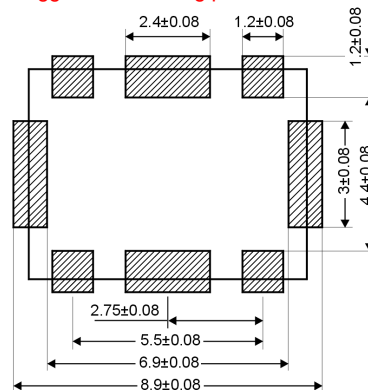
SMD-version

| | | | | | |
|---|--|------|------|--------|----------------------------------|
| part no. | 12.xxxxx | | | | |
| model | KXO-59 | | | | |
| | RSV1850A | | | | |
| supply voltage V_{DD} | $5.0 \pm 10\%$ | | | | |
| tuning voltage (V_t) | 0,7 ~ 4.3 V | | | | |
| operating temperature | $-40^\circ\text{C} \sim +85^\circ\text{C}$ | | | | |
| storage temperature | $-40^\circ\text{C} \sim +85^\circ\text{C}$ | | | | |
| storage humidity | 5 ~ 95% | | | | |
| electrical characteristics at +25°C, humidity 65% | | | | | |
| supply voltage | min. | typ | max | unit | test conditions |
| | | 5 | | V | DC voltage |
| frequency | | | 1800 | MHz | $V_{DD} = 5V, V_t = 0.7V$ |
| | 1900 | | | MHz | $V_{DD} = 5V, V_t = 4.3V$ |
| current | | | 22 | mA | $V_{DD} = 5V, V_t = 2.5V$ |
| output level | 4 | | 9 | dBm | $V_{DD} = 5V, V_t = 2.5V$ |
| phase noise (C)/N | | -100 | -96 | dBc/Hz | 10kHz offset, BW = 1 Hz |
| | | -120 | -116 | dBc/Hz | 100kHz offset, BW = 1 Hz |
| | | -140 | | dBc/Hz | 1MHz offset, BW = 1 Hz |
| 2 nd harmonic | | -10 | | dBc | $V_{CC} = 5V, V_t = 2.5V$ |
| tuning sensitivity | 28 | | | MHz/V | $V_t = 0,7V \sim 4.3V$ |
| pulling | | 800 | 2000 | kHz | $V_{CC} = 5V, V_t = 2.5V$ |
| | | | | | VSWR = 2 all phase |
| pushing | | 500 | 1000 | kHz | $V_{CC} = 5V \pm 1V, V_t = 2.5V$ |
| material: P.C. Board | glass cloth epoxide resin | | | | |
| material: case | Nickel silver-sheets (C7701) | | | | |
| contents of reel | 1000 pcs | | | | |

Dimensions (mm):



Suggested soldering pad:



Tape specification:

| | |
|---|----------|
| 1 | RF out |
| 2 | GND |
| 3 | GND |
| 4 | Vt |
| 5 | GND |
| 6 | V_{DD} |
| 7 | GND |
| 8 | GND |

