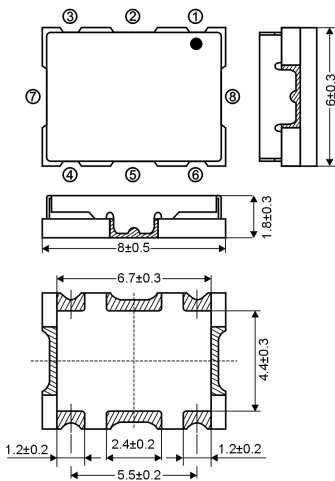


## VCO Voltage Controlled Oscillator

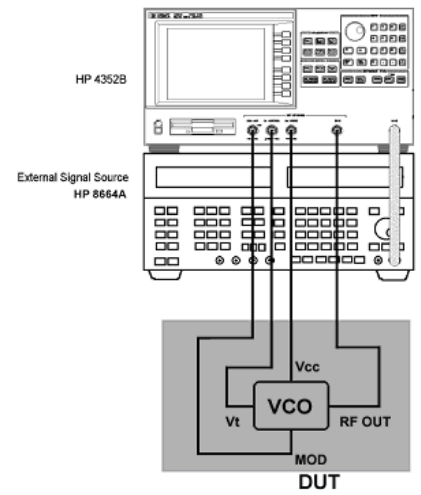
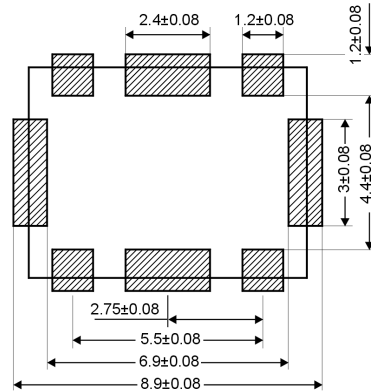
SMD-version

part no.	12.xxxxx				
model	KXO-59				
	RSV1750A				
supply voltage $V_{DD}$	$5.0 \pm 10\%$				
tuning voltage ( $V_t$ )	$0.7 \sim 4.3 V$				
operating temperature	$-40^\circ C \sim +85^\circ C$				
storage temperature	$-40^\circ C \sim +85^\circ C$				
storage humidity	5 ~ 95%				
electrical characteristics at +25°C, humidity 65%					
supply voltage	min.	typ	max	unit	test conditions
		5		V	DC voltage
frequency			1700	MHz	$V_{DD} = 5V, V_t = 0.7V$
	1800			MHz	$V_{DD} = 5V, V_t = 4.3V$
current			22	mA	$V_{DD} = 5V, V_t = 2.5V$
output level	4		9	dBm	$V_{DD} = 5V, V_t = 2.5V$
phase noise (C)/N)		-100	-96	dBc/Hz	10kHz offset, BW = 1 Hz
		-120	-116	dBc/Hz	100kHz offset, BW = 1 Hz
		-140		dBc/Hz	1MHz offset, BW = 1 Hz
2 <sup>nd</sup> harmonic		-10		dBc	$V_{DD} = 5V, V_t = 2.5V$
tuning sensitivity	28			MHz/V	$V_t = 0.7V \sim 4.3V$
pulling		800	2000	kHz	$V_{DD} = 5V, V_t = 2.5V$ VSWR = 2 all phase
pushing		500	1000	kHz	$V_{DD} = 5V \pm 1V, V_t = 2.5V$
material: P.C. Board	glass cloth epoxide resin				
material: case	Nickel silver-sheets (C7701)				
contents of reel	1000 pcs				

Dimensions (mm):



Suggested soldering pad:



Tape specification:

1	RF out
2	GND
3	GND
4	Vt
5	GND
6	$V_{DD}$
7	GND
8	GND

