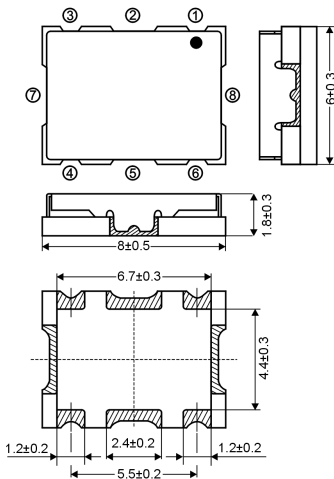


VCO Voltage Controlled Oscillator

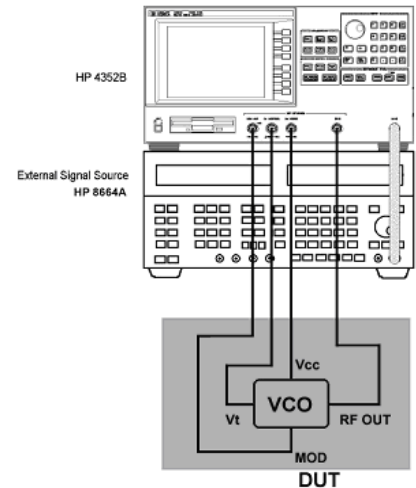
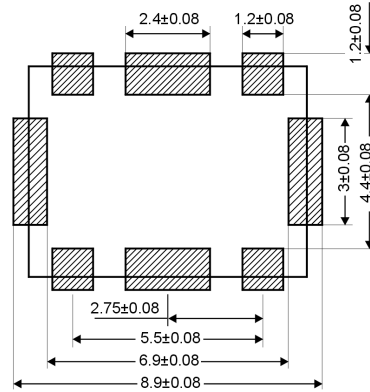
SMD-version

part no.	12.xxxxx				
model	KXO-59				
	RSV1650A				
supply voltage V_{DD}	$5.0 \pm 10\%$				
tuning voltage (V_t)	$0.7 \sim 4.3 V$				
operating temperature	$-40^\circ C \sim +85^\circ C$				
storage temperature	$-40^\circ C \sim +85^\circ C$				
storage humidity	$5 \sim 95\%$				
electrical characteristics at $+25^\circ C$, humidity 65%					
supply voltage	min.	typ	max	unit	test conditions
		5		V	DC voltage
frequency			1600	MHz	$V_{DD} = 5V, V_t = 0.7V$
	1700			MHz	$V_{DD} = 5V, V_t = 4.3V$
current			22	mA	$V_{DD} = 5V, V_t = 2.5V$
output level	4		9	dBm	$V_{DD} = 5V, V_t = 2.5V$
phase noise (C)/N)		-100	-96	dBc/Hz	10kHz offset, BW = 1 Hz
		-120	-116	dBc/Hz	100kHz offset, BW = 1 Hz
		-140		dBc/Hz	1MHz offset, BW = 1 Hz
2 nd harmonic		-10		dBc	$V_{DD} = 5V, V_t = 2.5V$
tuning sensitivity	28			MHz/V	$V_t = 0.7V \sim 4.3V$
pulling		800	2000	kHz	$V_{CC} = 5V, V_t = 2.5V$ VSWR = 2 all phase
	pushing		500	1000	kHz
material: P.C. Board	glass cloth epoxide resin				
material: case	Nickel silver-sheets (C7701)				
contents of reel	1000 pcs				

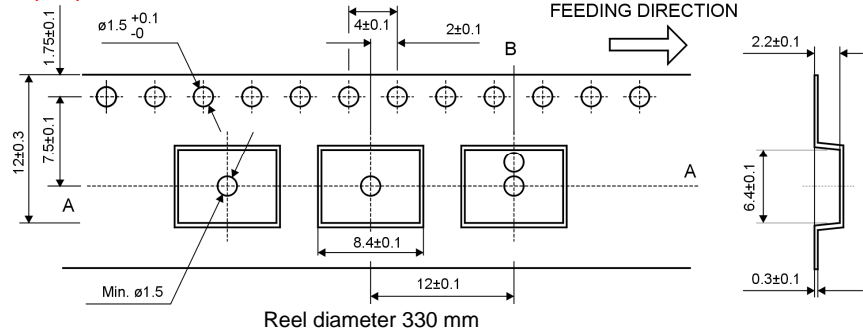
Dimensions (mm):



Suggested soldering pad:



Tape specification:



1	RF out
2	GND
3	GND
4	Vt
5	GND
6	V_{DD}
7	GND
8	GND