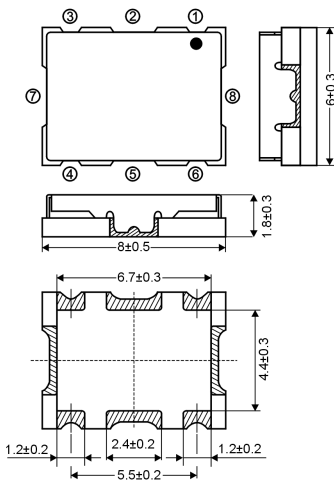


VCO Voltage Controlled Oscillator

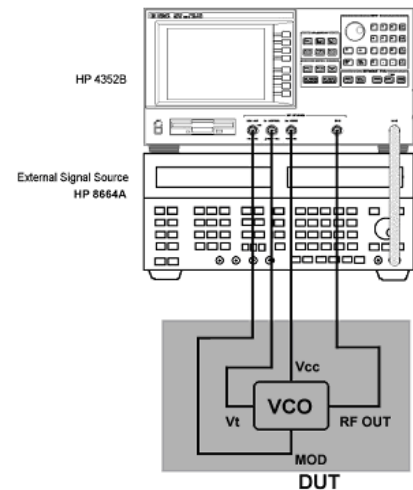
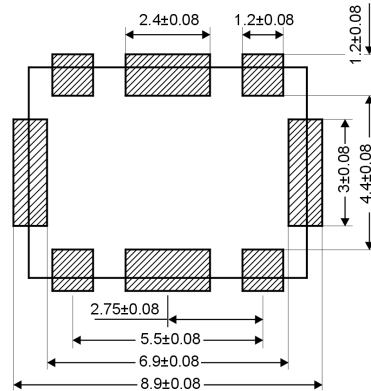
SMD-version

part no.	12.xxxxx				
model	KXO-59				
	RSV1550A				
supply voltage V_{DD}	$5.0 \pm 10\%$				
tuning voltage (V_t)	0.7 ~ 4.3 V				
operating temperature	$-40^\circ\text{C} \sim +85^\circ\text{C}$				
storage temperature	$-40^\circ\text{C} \sim +85^\circ\text{C}$				
storage humidity	5 ~ 95%				
electrical characteristics at $+25^\circ\text{C}$, humidity 65%					
supply voltage	min.	typ	max	unit	test conditions
		5		V	DC voltage
frequency			1500	MHz	$V_{DD} = 5\text{V}$, $V_t = 0.7\text{V}$
	1600			MHz	$V_{DD} = 5\text{V}$, $V_t = 4.3\text{V}$
current			22	mA	$V_{DD} = 5\text{V}$, $V_t = 2.5\text{V}$
output level	4		9	dBm	$V_{DD} = 5\text{V}$, $V_t = 2.5\text{V}$
phase noise (C)/N		-100	-96	dBc/Hz	10kHz offset, BW = 1 Hz
		-120	-116	dBc/Hz	100kHz offset, BW = 1 Hz
		-140		dBc/Hz	1MHz offset, BW = 1 Hz
2 nd harmonic		-10		dBc	$V_{DD} = 5\text{V}$, $V_t = 2.5\text{V}$
tuning sensitivity	28			MHz/V	$V_t = 0.7\text{V} \sim 4.3\text{V}$
pulling		800	2000	kHz	$V_{DD} = 5\text{V}$, $V_t = 2.5\text{V}$ VSWR = 2 all phase
	pushing		500	1000	kHz
material: P.C. Board	glass cloth epoxide resin				
material: case	Nickel silver-sheets (C7701)				
contents of reel	1000 pcs				

Dimensions (mm):



Suggested soldering pad:



Tape specification:

1	RF out
2	GND
3	GND
4	Vt
5	GND
6	Vcc
7	GND
8	GND

