



Clock Oscillator

+5.0V

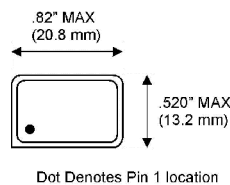
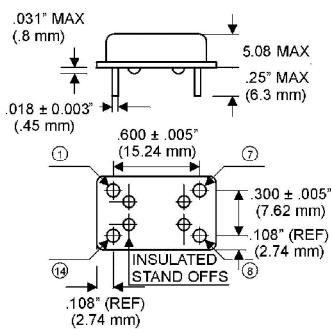
TTL / HCMOS

part no.	12.xxxxx
model	KXO-200
package	DIL 14
frequency range	0.5 ~ 100 MHz*
frequency stability	standard ± 100 ppm available ± 25 ppm ~ ± 100 ppm
operating temperature range	standard $-20^{\circ}\text{C} \sim +70^{\circ}\text{C}$ available $-40^{\circ}\text{C} \sim +85^{\circ}\text{C}$ (=KXO-205)
storage temperature range	$-55^{\circ}\text{C} \sim +125^{\circ}\text{C}$
input voltage	+5.0V DC $\pm 10\%$
input current max.	20mA 0.5 ~ 20MHz 40mA 20.1 ~ 70MHz 60mA 70.1 ~ 100MHz
symmetry	standard 60/40% at $\frac{1}{2}$ VDD available 55/45% at $\frac{1}{2}$ VDD
rise and fall time max.	10 ns 0.5 ~ 25 MHz 6 ns 25.1 ~ 70 MHz 4 ns 70.1 ~ 100 MHz
"0" level max.	+0.5V (10%V _{DD})
"1" level min.	+4.5V (90%V _{DD})
output load	1 – 8 TTL or CL = 50 pF typ.
logic family	TTL or HCMOS compatible
packing unit	25 pcs.

* > 100 MHz on request

Dimensions (mm):

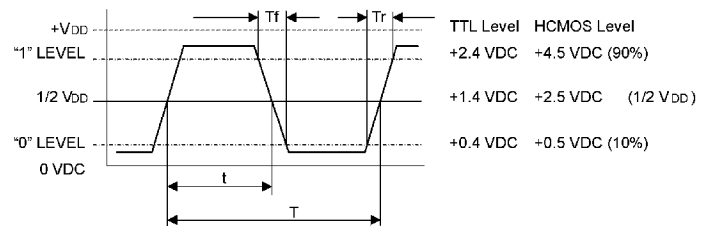
DIL 14



Waveform:

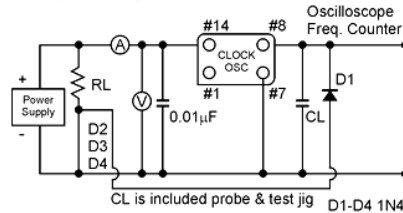
Symmetry

$\frac{t}{T} \times 100\%$
 t: 40% min. to 60% max.

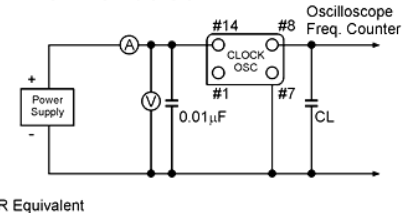


Test circuit:

FOR TTL COMPATIBLE



FOR HCMOS COMPATIBLE



CL is included probe & test jig
 D1-D4 1N4148 OR Equivalent
 CL 15pF
 RL 400Ω

PIN	CONNECTION
#1 (#1)	N/C
#7 (#4)	GND
#8 (#5)	OUTPUT
#14 (#8)	V _{DD}