

## Ceramic Resonator

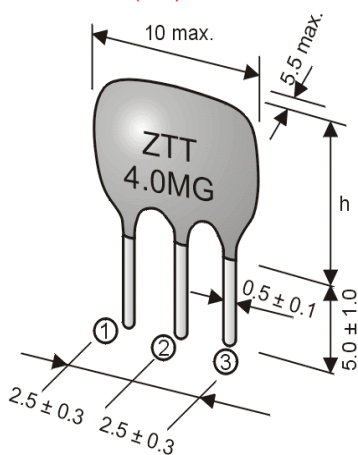
KX-ZTT series

Built-in capacitor types

model	KX-ZTT MG
frequency range	1,84 ~ 7,99 MHz
internal capacitance C <sub>1</sub> , C <sub>2</sub>	30 pF
frequency tolerance at +25°C	± 0,5%
frequency stability at -20° ~ +80°C	± 0,3%
aging for 10 years	± 0,3%
resonant resistance max.	80 Ohm
test circuit IC	1/6 CD 4069 UBEX2
height (h) max.	8,0 mm
packing unit	500 pcs.
part no.	12.xxxxx

Please note for Ceramic Resonators our „Precautions for Handling“.

Dimensions (mm):



CONNECTION

- ① Input
- ② Ground
- ③ Output

Test circuit:

