



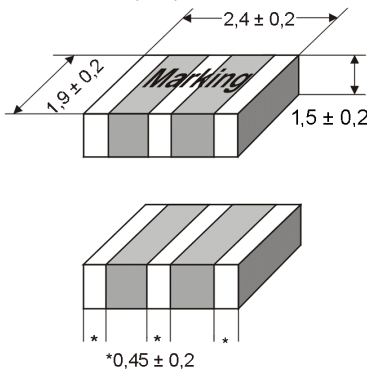
Ceramic Resonator Built-in capacitor types

SMD-version
KX-ZTT C series

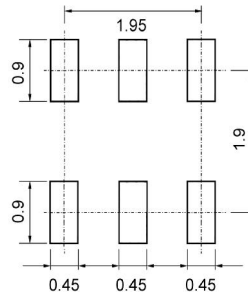
part no.	12.xxxxx	
model	KX-ZTT CW	
frequency range	16.0 ~ 19.99 MHz	20.0 ~ 50.0 MHz
internal capacitance C ₁ , C ₂	10 pF	20.0 ~ 25.99 MHz 10 pF 26.0 ~ 50.0 MHz 6 pF
frequency tolerance at +25°C	±0.5%	
frequency stability at -20° ~ +80°C	±0.3%	
aging for 10 years	±0.3%	
resonant resistance max.	16.0 ~ 25.99 MHz 60 Ohm 26.00 ~ 50.0 MHz 50 Ohm	
test circuit IC	74 HCU04 AP (Toshiba)	
contents of reel	3000 pcs.	

Please note for Ceramic Resonators our „Precautions for Handling“.

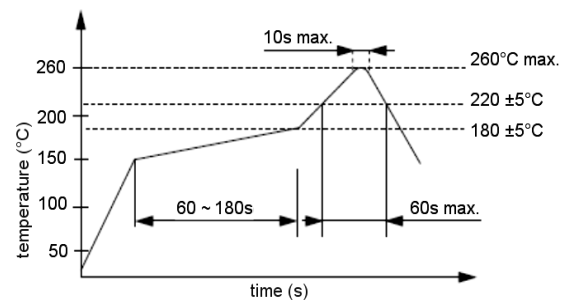
Dimensions (mm):



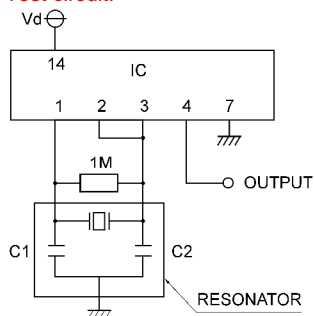
Suggested soldering pad:



Reflow soldering condition:



Test circuit:



Tape specification:

