



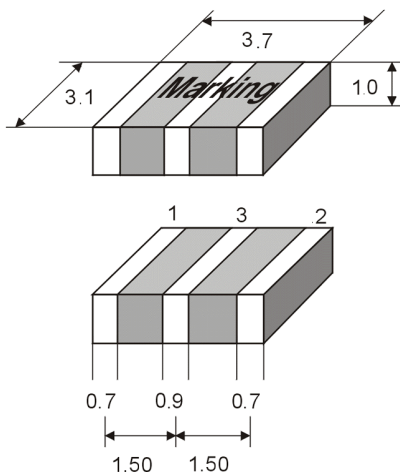
## Ceramic Resonator Built-in capacitor types

SMD-version  
KX-ZTT CV series

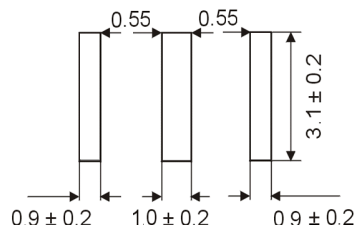
|   |                  |                   |       |
|---|------------------|-------------------|-------|
| part no.  | 12.xxxxx         |                   |       |
| model   | KX-ZTT-CV MX     |                   |       |
| frequency range   | 13.1 ~ 15.99 MHz | 16.0 ~ 50.0 MHz   |       |
| internal capacitance<br>C <sub>1</sub> , C <sub>2</sub> | 10 pF            | 16.0 MHz          | 22 pF |
|   |                  | 16.01 ~ 25.99 MHz | 10 pF |
|   |                  | 26.0 ~ 50.0 MHz   | 5 pF  |
| frequency tolerance<br>at +25°C                         | ±0.5%            |                   |       |
| frequency stability<br>at -20° ~ +80°C                  | ±0.3%            |                   |       |
| aging for 10 years                                      | ±0.3%            |                   |       |
| resonant resistance max.                                | 60 Ohm           | 40 Ohm            |       |
| test circuit IC   | 1/6TC4069UBP×2   |                   |       |
| contents of reel  | 1000 pcs.        |                   |       |

Please note our [Precautions for Handling](#)

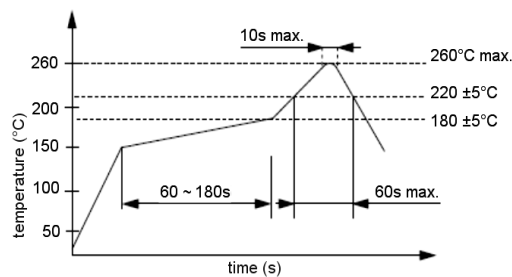
### Dimensions (mm):



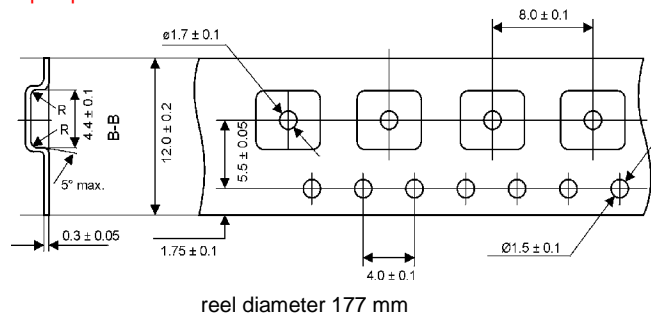
### Suggested soldering pad:



### Reflow soldering condition:



### Tape specification:



### Test circuit:

