

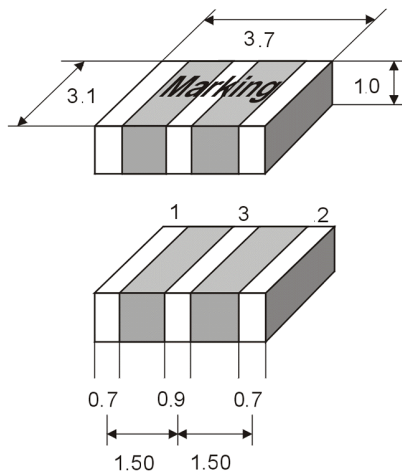
## Ceramic Resonator Built-in capacitor types

SMD-version  
KX-ZTT CV series

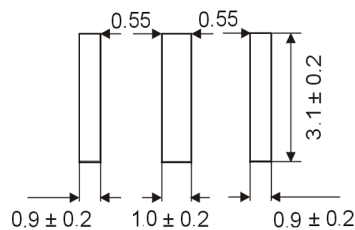
|   |                |
|---|----------------|
| part no.  | 12.xxxxx       |
| model   | KX-ZTT-CV MT   |
| frequency range   | 8.0 ~ 13.0 MHz |
| internal capacitance<br>C <sub>1</sub> , C <sub>2</sub> | 22 pF          |
| frequency tolerance<br>at +25°C                         | ±0.5%          |
| frequency stability<br>at -20° ~ +80°C                  | ±0.3%          |
| aging for 10 years                                      | ±0.3%          |
| resonant resistance<br>max.                             | 30 Ohm         |
| test circuit IC   | 1/6TC4069UBPx2 |
| contents of reel  | 1000 pcs.      |

Please note our Precautions for Handling

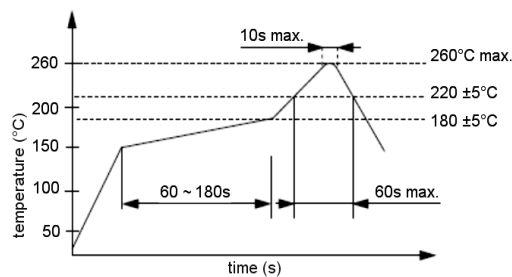
### Dimensions (mm):



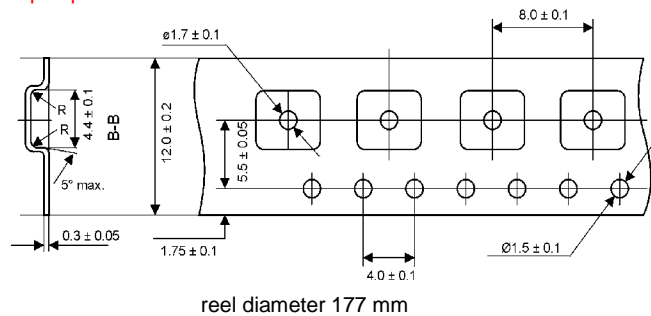
### Suggested soldering pad:



### Reflow soldering condition:



### Tape specification:



### Test circuit:

