

Ceramic Resonator

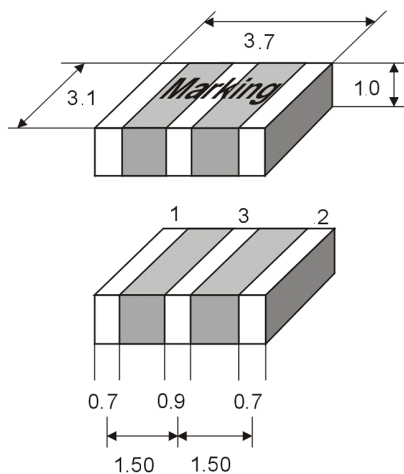
Built-in capacitor types

SMD-version
KX-ZTT CV series

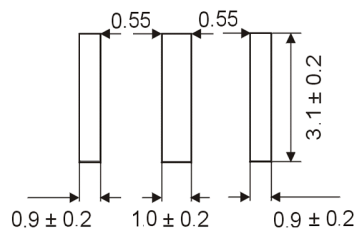
part no.	12.xxxxx
model	KX-ZTT-CV MT
frequency range	8.0 ~ 13.0 MHz
internal capacitance C ₁ , C ₂	22 pF
frequency tolerance at +25°C	±0.5%
frequency stability at -20° ~ +80°C	±0.3%
aging for 10 years	±0.3%
resonant resistance max.	30 Ohm
test circuit IC	1/6TC4069UBPx2
contents of reel	1000 pcs.

Please note our Precautions for Handling

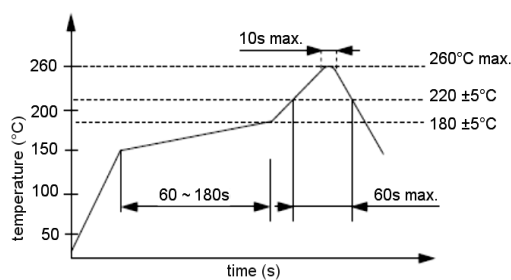
Dimensions (mm):



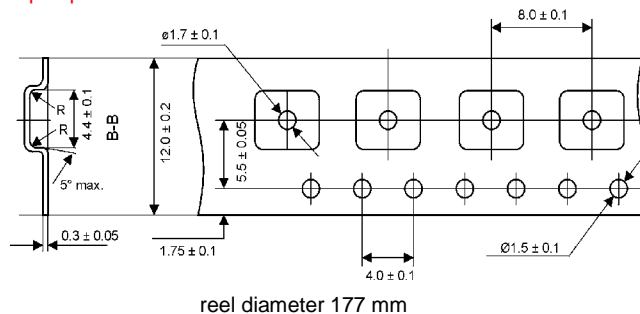
Suggested soldering pad:



Reflow soldering condition:



Tape specification:



Test circuit:

