



## Ceramic Resonator

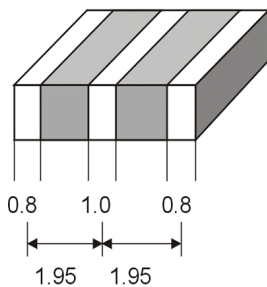
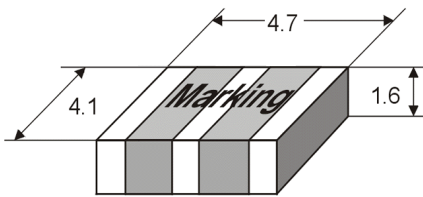
SMD-version  
KX-ZTT C series

Built-in capacitor types

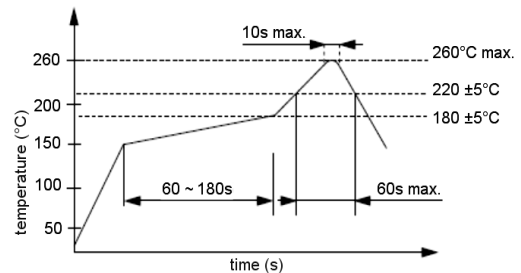
|                                                         |                                                                            |
|---------------------------------------------------------|----------------------------------------------------------------------------|
| part no.                                                | 12.xxxxx                                                                   |
| model                                                   | KX-ZTT CS MX                                                               |
| frequency range                                         | 13.01 ~ 50.0 MHz                                                           |
| internal capacitance<br>C <sub>1</sub> , C <sub>2</sub> | 13.01 ~ 16.0 MHz 22 pF<br>16.01 ~ 25.99 MHz 10 pF<br>40.01 ~ 50.0 MHz 5 pF |
| frequency tolerance<br>at +25°C                         | ±0.5%                                                                      |
| frequency stability<br>at -20° ~ +80°C                  | ±0.3%                                                                      |
| aging for 10 years                                      | ±0.3%                                                                      |
| resonant resistance<br>max.                             | 40 Ohm                                                                     |
| test circuit IC                                         | TC 74 HCU04                                                                |
| contents of reel                                        | 1000 pcs.                                                                  |

Please note for Ceramic Resonators our „Precautions for Handling“.

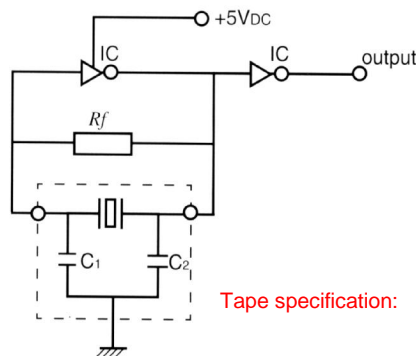
Dimensions (mm):



Reflow soldering condition:

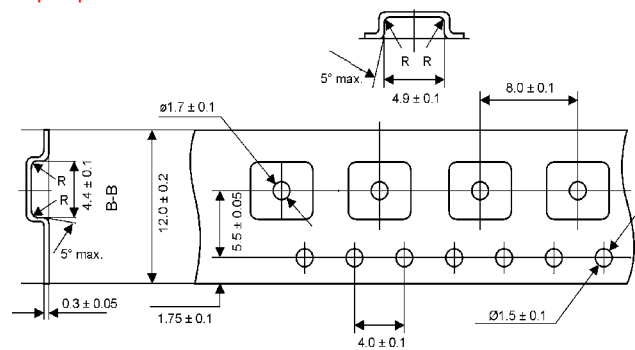
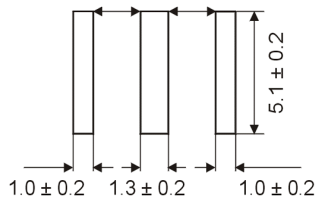


Test circuit7



Tape specification:

Suggested soldering pad:



reel diameter 178 mm