

Ceramic Resonator

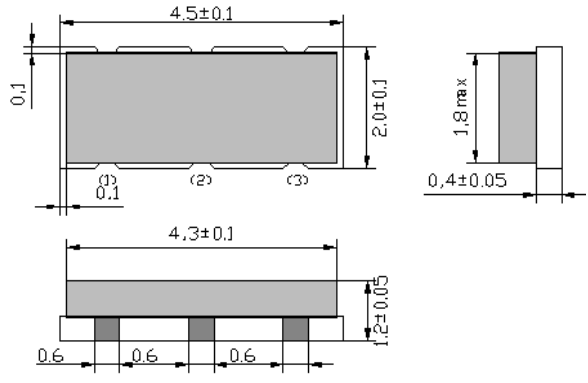
SMD-version
KX-ZTT CR series

Built-in capacitor types

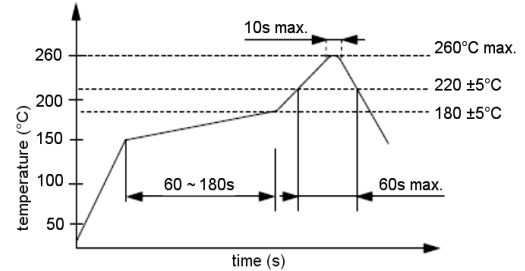
| | |
|---------------------------------------------------------|---------------|
| part no. | 12.xxxxx |
| model | KX-ZTT-CR MG |
| frequency range | 4.0 ~ 8.0 MHz |
| internal capacitance C ₁ , C ₂ | 15 pF |
| frequency tolerance at +25°C | ±0.5% |
| frequency stability at -25 ~ +85C | ±0.3% |
| aging for 10 years | ±0.3% |
| resonant resistance max. | 40 Ohm |
| test circuit IC | TC 74 HCU04 |
| contents of reel | 3000 pcs. |

Please note for Ceramic Resonators our „Precautions for Handling“.

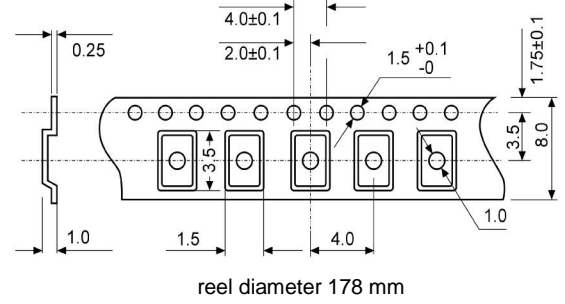
Dimensions (mm):



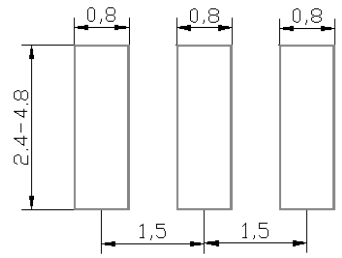
Reflow soldering condition:



Tape specification:



Suggested soldering pad:



Test circuit:

