

## Ceramic Resonator

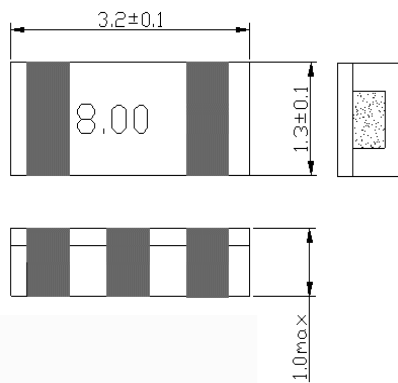
SMD-version  
KX-ZTT CE series

Built-in capacitor types

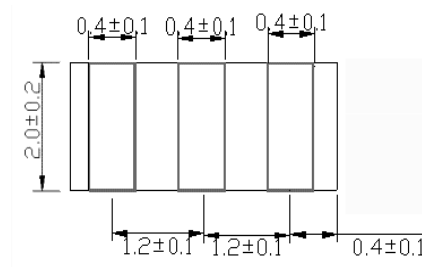
part no.	12.xxxxx
model	KX-ZTT-CE MG
frequency range	8.0 ~ 12.2880 MHz
internal capacitance C <sub>1</sub> , C <sub>2</sub>	15 pF
frequency tolerance at +25°C	±0.5%
frequency stability at -25 ~ +85C	±0.3%
aging for 10 years	±0.3%
resonant resistance max.	40 Ohm
test circuit IC	TC 74 HCU04
contents of reel	3000 pcs.

\* Please note for Ceramic Resonators our „Precautions for Handling“.

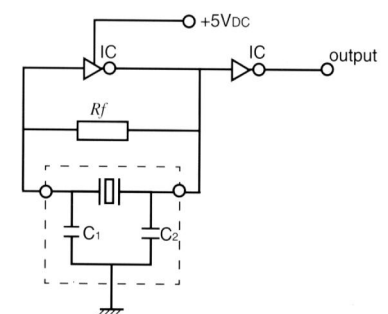
### Dimensions (mm):



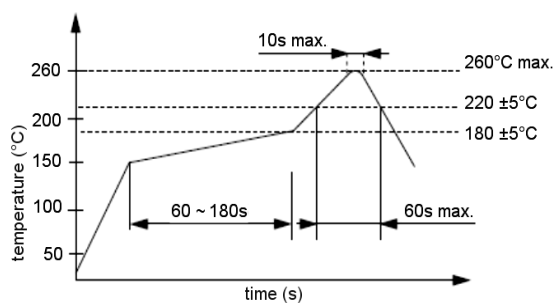
### Suggested soldering pad:



### Test circuit:



### Reflow soldering condition:



### Tape specification:

