



Ceramic Resonator

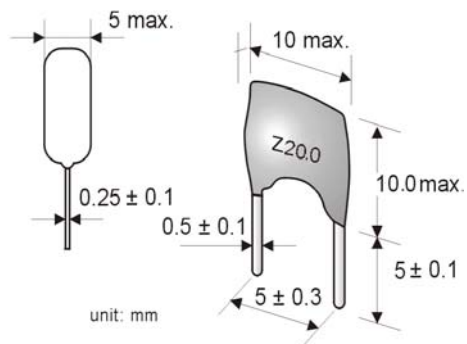
KX-ZTA series

None capacitor type

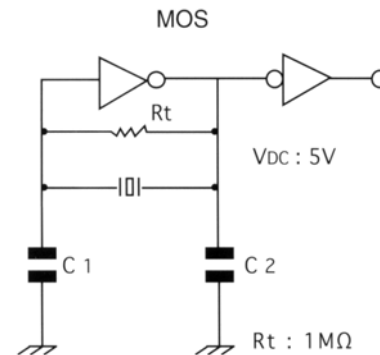
model	KX-ZTA MX
frequency range	13,1 ~ 50,0 MHz
external capacitance C ₁ , C ₂	13,1 ~ 20,0 MHz 30 pF 20,01 ~ 25,99 MHz 15 pF 26,0 ~ 50,0 MHz 5 pF
frequency tolerance at +25°C	± 0,5%
frequency stability at -20° ~ +80°C	± 0,3%
aging for 10 years	±0,3%
resonant resistance max.	30 Ohm
test circuit IC	for MOS: 1/6 CD 4069UBEX2 for TTL: 1/6 SN 74LS04NX2
height (h) max.	10,0 mm
RoHS	according to RoHS 2011/65/EU
packing unit	500 pcs.
part no.	12.99500 ~ 12.99900

Please note for Ceramic Resonators our „Precautions for Handling“.

Dimensions (mm):



Test circuit:



Test circuit:

