



## Ceramic Resonator

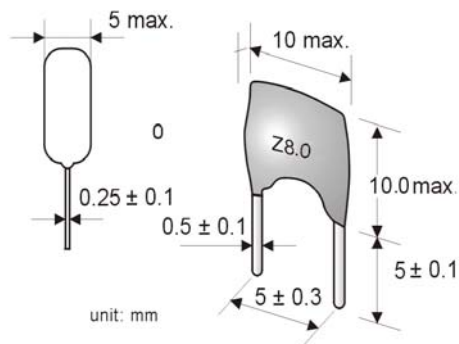
KX-ZTA series

None capacitor type

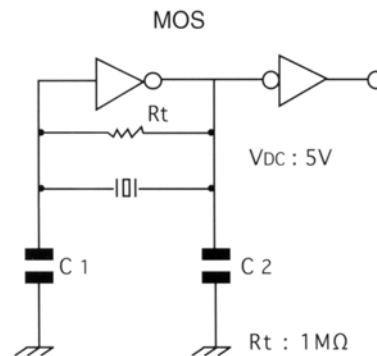
|   |   |
|---|---|
| model   | KX-ZTA MT   |
| frequency range   | 6,01 ~ 13,0 MHz   |
| external capacitance<br>C <sub>1</sub> , C <sub>2</sub> | 30 pF   |
| frequency tolerance<br>at +25°C                         | ± 0,5%  |
| frequency stability<br>at -20° ~ +80°C                  | ± 0,3%  |
| aging for 10 years                                      | ±0,3%   |
| resonant resistance<br>max.                             | 30 Ohm  |
| test circuit IC   | for MOS: 1/6 TC 4069UBPx2<br>for TTL: 1/6 TC 74HCU04Px2 |
| height (h) max.   | 10,0 mm   |
| RoHS  | according to RoHS 2011/65/EU                            |
| packing unit  | 500 pcs.  |
| part no.  | 12.99500 ~ 12.99900                                     |

Please note for Ceramic Resonators our „Precautions for Handling“

Dimensions (mm):



Test circuit:



Test circuit:

