

## Ceramic Resonator

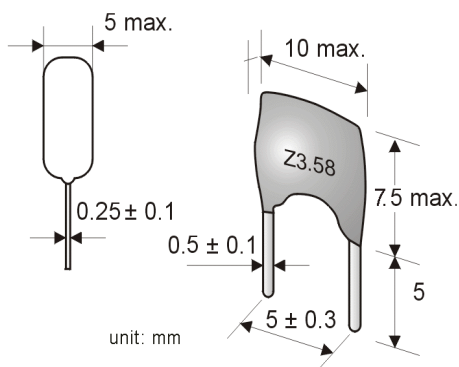
KX-ZTA series

None capacitor type

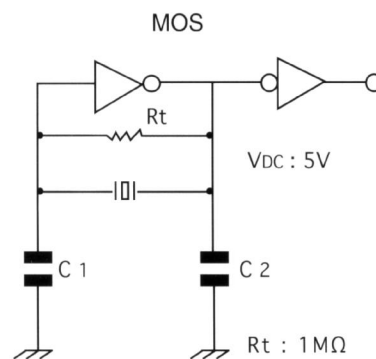
model	KX-ZTA MG
frequency range	1,84 ~ 6,0 MHz
external capacitance C <sub>1</sub> , C <sub>2</sub>	30 pF
frequency tolerance at +25°C	± 0,5%
frequency stability at -20° ~ +80°C	± 0,3%
aging for 10 years	±0,3%
resonant resistance max.	35 ~ 80 Ohm
test circuit IC	for MOS: 1/6 CD 4069UBEX2 for TTL: 1/6 SN 74LS04NX2
packing unit	500 pcs.
part no.	12.xxxxx

Please note for Ceramic Resonators our "Precautions for Handling".

Dimensions (mm):



Test circuit:



Test circuit:

