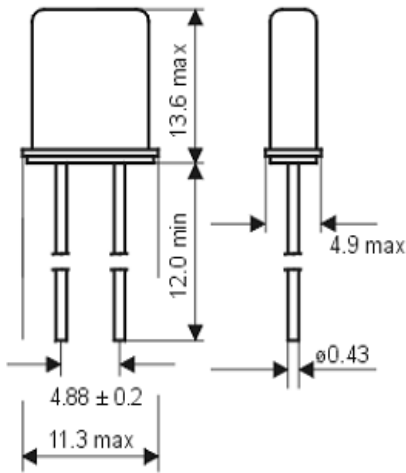


Quartz Crystal

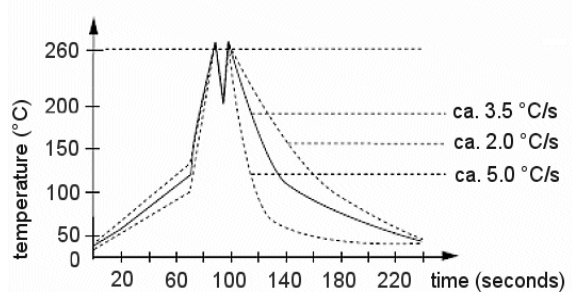
HC-49/U

part no.	12.xxxxx
model	KX-49
frequency range	110 ~ 200 MHz
mode	7 th overtone
operating temperature	standard -20° ~ + 70°C available -40° ~ + 85°C (= KX-49T) available -40° ~ +105°C (= KX-49E)
frequency tolerance at +25°C	standard: ±30 ppm available: ±5 ~ 50 ppm
temperature tolerance at -20° ~ +70°C	standard: ±50 ppm available ±5 ~ 50 ppm
load capacitance C _L	series
series resistance R1 max.	80 ~ 120 Ohm
aging at +25°C (first year) max.	±5 ppm
shunt capacitance C ₀ max.	7 pF
drive level max.	0.1 ~ 0.5 mW

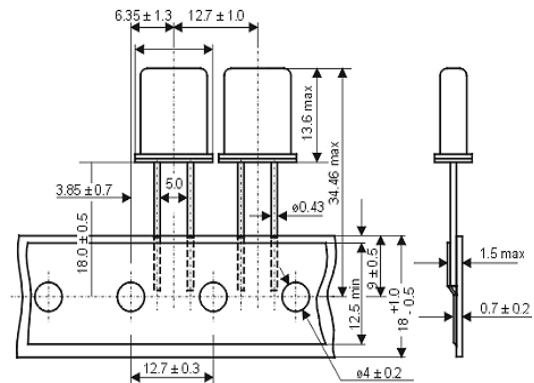
Dimensions (mm):



Wave soldering condition:



Tape specification:



Taped crystals upon request