

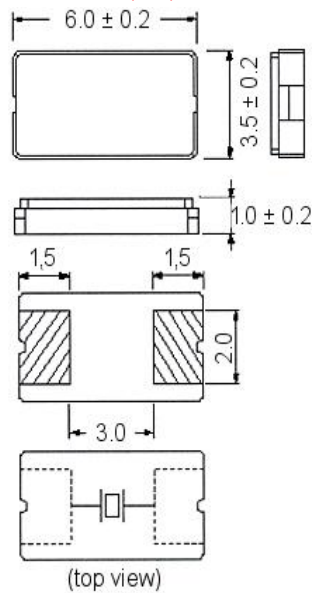


## Quartz Crystal

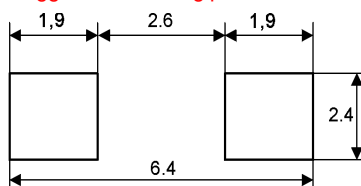
SMD-version

part no.	12.xxxxx
model	KX – 12B
frequency range	8.0 ~ 50.0 MHz
mode	fundamental, 3 <sup>rd</sup> overtone upon request
operating temperature	standard -20° ~ + 70°C available -40° ~ + 85°C (=KX-12BT) available -40° ~ +105°C (=KX-12BE)
frequency tolerance at +25°C	± 30 ppm
temperature tolerance -20° ~ + 70°C -40° ~ + 85°C -40° ~ +105°C	standard ± 50 ppm, available ±10 ~ ±30 ppm standard ±100 ppm, available ±30 ~ ±50 ppm standard ±120 ppm, available ±50 ~ ±80 ppm
load capacitance C <sub>L</sub>	standard 16 pF available 12 ~ 20 pF
series resonance R1 max.	8.0 ~ 9.79 MHz 150 Ohm 9.8 ~ 11.99 MHz 80 Ohm 12.0 ~ 50.0 MHz 40 Ohm
aging at +25°C (first year) max.	±2 ppm
shunt capacitance C <sub>0</sub> max.	7.0 pF
drive level max.	0.05 mW
contents of reel	1000 pcs

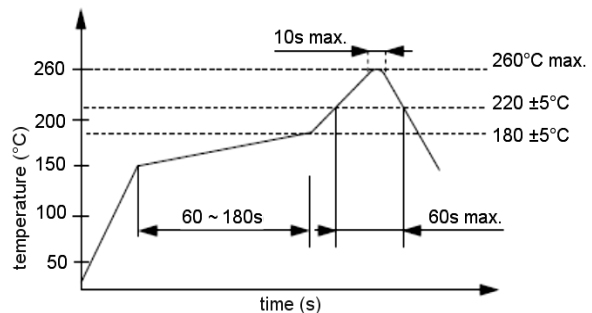
**Dimensions (mm):**



**Suggested soldering pad:**



**Reflow soldering condition:**



**Tape specification:**

