

DYNAMIS

Batterien



High Capacity Lithium Manganese Block 9V Lithium-Manganese Dioxide (Li-MnO₂) Battery

Our **DYNAMIS Lithium Manganese 9 Volt Block** provides a high nominal capacity of typically 1300 mAh (@ 900 Ohms, cut-off 5.0V). Under these conditions the working voltage at 9 mA discharge is widely constant around 9.0 Volts (starting from approx. 9.5 V) and the energy density is high.

The block can be used in a temperature range from -30 deg C (- 22 °F) to +85 deg C (185 °F).

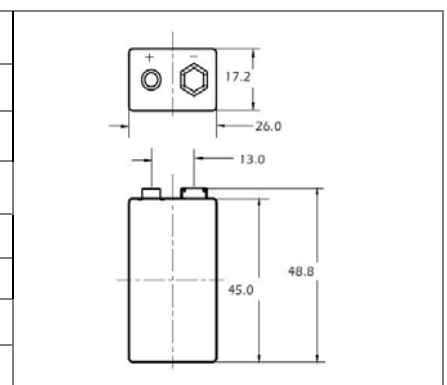
The high performance of the LM9V-P product is completed by a very low self discharge (less than 0.17 % per month @ 23 deg C) and a 10-year service life. High pulse current capability is also a major feature.

Ideal areas of application are Medical Devices, Alarm Systems and Security Equipment, as well as Smoke Detectors, Meters and Gas Emission Alarm Devices. In addition to that we supply to many kinds of Measuring Devices, Control Systems, Audio and Industrial applications.

The product is typically available from Co. warehouse.



Nominal capacity	1300 mAh
Nominal voltage	9,0V
Max. recommended continuous current	120 mA
Max. pulse current capability	400 mA
Storage temperature (recommended)	+30°C max.
Operating temperature range	-30°C ~ +85°C
Dimensions L/W/H	26,0 x 17,2 x 48,8 mm
weight	50 g



Please ask for more information.

DYNAMIS

LITHIUM-MN-LINE

LM 9V - P 1300 mAh Order no. 60.08024

9V Lithium-Manganese Dioxide (Li-MnO₂) Battery



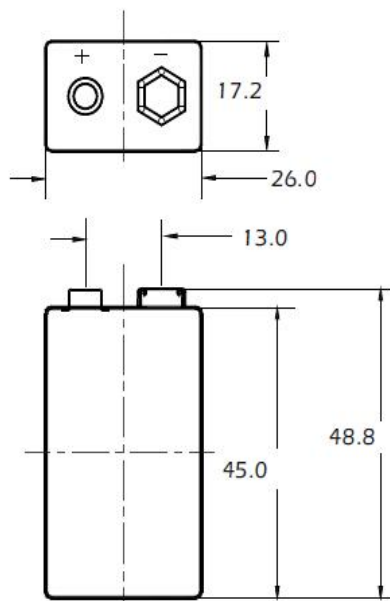
Electrical characteristics

(typical values relative to cells stored for one year or less at +23°C max.)

Nominal capacity at 9,0mA +23°C 5,4V cut off. The capacity restored by cell varies according to current drain, temperature and cut off voltage).	1300 mAh
Nominal voltage	9,0V
Max. recommended continuous current	120 mA
Max. pulse current capability Pulse capability varies according to pulse characteristics (frequency and duration), temperature, cell history (storage conditions prior to usage) and the application's acceptable minimum voltage.	400 mA
storage (recommended) (for more severe conditions consult DYNAMIS)	+30°C max.
operating temperature range (Operation at temperature different from ambient may lead to reduced capacity and lower voltage plateau readings.)	-30°C ~ +85°C

Physical characteristics

length (max.)	26,0 mm
width	17,2 mm
height (max)	48,8 mm
typical weight	50 g



unit: mm

Key features

- High energy density
- Wide operating temperature range
- High pulse current capability
- Low self discharge rate (less than 0,16% per month at +23°C)
- Over 10 years service life
- Glass-to-Metall sealed

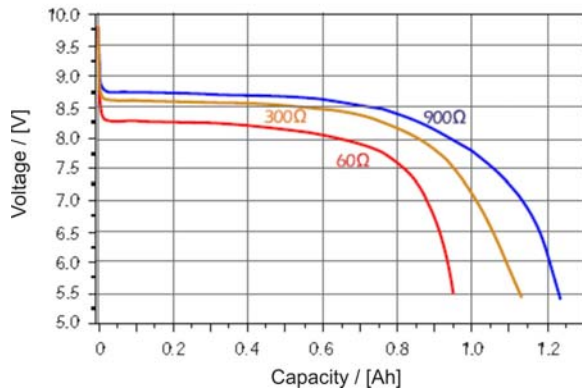
Warning

- Risk of fire and burns.
- Do not recharge, disassemble, heat over 100°C or incinerate.
- Do not mix fresh batteries with used Lithium batteries or other battery types.
- Do not try to recharge.

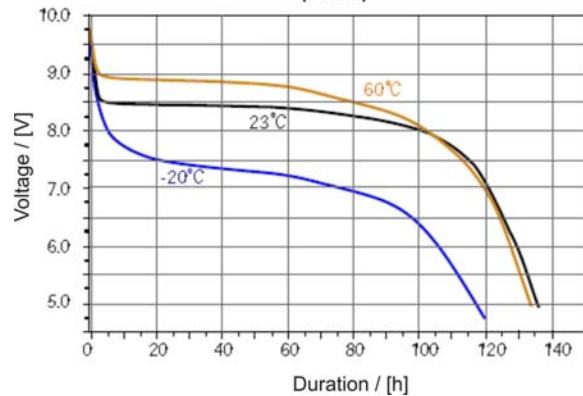
Main applications

Medical Devices
 Music/Audio Devices
 Smoking alarm
 Instrumentation
 Safety Devices
 Communication Devices
 Parking Meter etc.

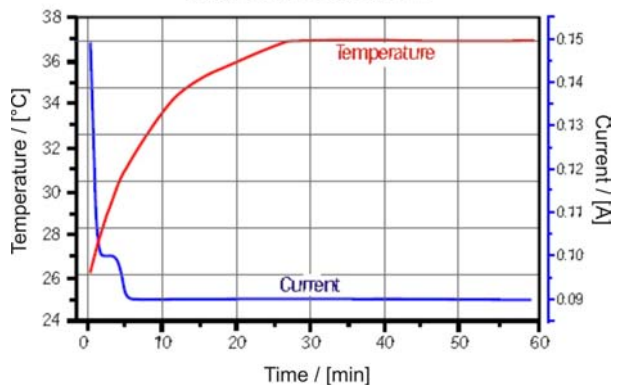
Continuous Discharges at 23 °C (73 °F)



Continuous Discharges at various Temperatures (900 Ω)



Short Circuit Behaviour Temperature and Current



* The information (subject to change without notice) contained in this document is for reference only and should not be used as a basis for product guaranty or warranty. For applications other than those described here, please consult your nearest DYNAMIS Sales or Marketing Office or Distributors.