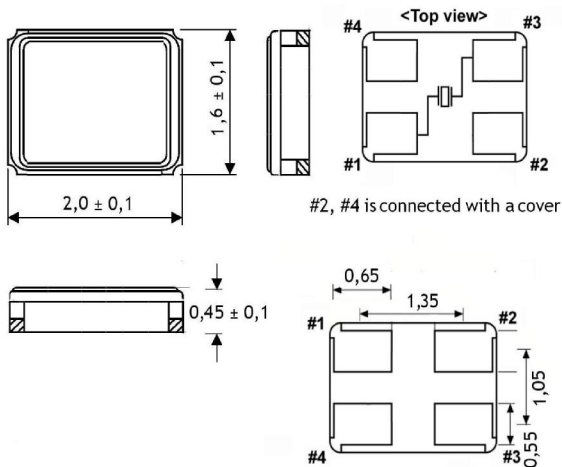


Quartz Crystal

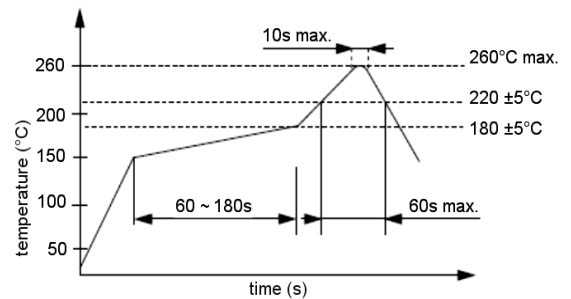
SMD-version

model	KX – 5
frequency	27,0 MHz
mode	fundamental
operating temperature	-20° ~ + 70°C
frequency tolerance at +25°C	± 30 ppm
temperature tolerance -20° ~ + 70°C	± 50 ppm
load capacitance C_L	8 pF
series resonance R_1 max.	100 Ohm
aging at +25°C (first year) max.	± 2 ppm
shunt capacitance C_O max.	5,0 pF
drive level max.	50 μ W
contents of reel	1000 pcs.
part no.	12.85515

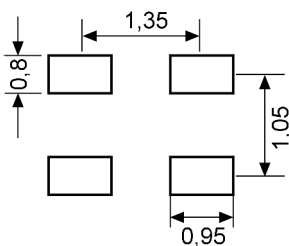
Dimensions (mm):



Reflow soldering condition:



Suggested soldering pad:



Tape specifications:

