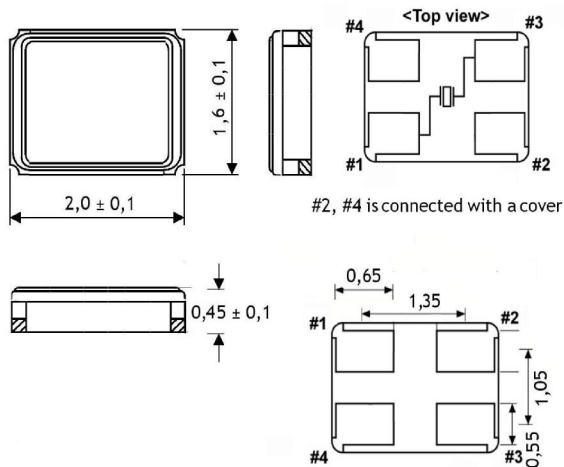


## Quartz Crystal

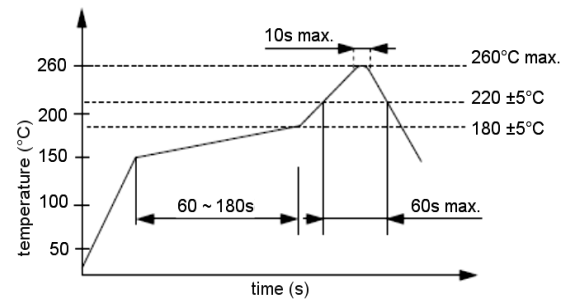
SMD-version

model	KX - 5
frequency	25,0 MHz
mode	fundamental
operating temperature	-20° ~ + 70°C
frequency tolerance at +25°C	± 30 ppm
temperature tolerance -20° ~ + 70°C	± 50 ppm
load capacitance $C_L$	8 pF
series resonance $R_1$ max.	100 Ohm
aging at +25°C (first year) max.	± 2 ppm
shunt capacitance $C_O$ max.	5,0 pF
drive level max.	50 $\mu$ W
contents of reel	1000 pcs.
part no.	12.85512

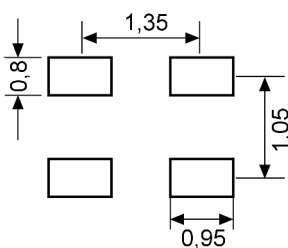
### Dimensions (mm):



### Reflow soldering condition:



### Suggested soldering pad:



### Tape specifications:

